

# ICON FIRES

**NERO WALL MOUNTED FIRES**

**User Manual**

# Operating Manual

Thank you for purchasing this *Icon Fires product*. *Icon Fires* is very safety conscious, we have taken every care in designing, manufacturing and assembling your *Icon Fires NERO* to ensure it operates effectively, efficiently and safely. In return we ask that you exercise care when using and installing this product and follow the instructions provided. Please make sure that you have read and understand the *Icon Fires Slimline Burner Manual* that you received with the *Slimline Burner* itself before attempting to install this product. Before using your *Icon Fires NERO*, please read all the information contained in this operation manual carefully. When using this fireplace, basic precautions should always be followed, including but not limited to the following.

**Read all instructions and warnings before using this fireplace.**

## WARNING

- **DO NOT OVERFILL THE BURNER'S INTENDED CAPACITY.**
- **DO NOT INSTALL INTO AN AREA WHERE THERE IS A DRAFT WHICH CAN AFFECT THE FLAME.**
- **USE ONLY THE FUEL FOR WHICH THE BURNER IS INTENDED.**
- **DO NOT TOUCH THE EXTERIOR OF THE SLIMLINE BURNER DURING OR AFTER BURNING.**
- **PARTS OF THIS SLIMLINE BURNER AND FRAME CAN REACH HIGH TEMPERATURES.**
- **DO NOT HAVE COMBUSTIBLE OBJECTS IN CLOSE PROXIMITY TO THE BURNER.**
- **NEVER POSITION THE FRAME WITHIN RANGE OF COMBUSTIBLE ITEMS THAT CAN BE MOVED/BUMPED BY ACCIDENT, OR BLOWN BY THE WIND. e.g CURTAINS & BLANKETS**
- **ONLY USE THE FRAME IN AREAS WITH GOOD VENTILATION.**
- **DO NOT COVER THE FRAME VENT WITH ANY DECORATIVE ITEMS WHETHER THEY ARE COMBUSTIBLE OR NON COMBUSTIBLE**
- **DO NOT INSTALL THE FRAME ONTO COMBUSTIBLE MATERIAL SUCH AS WOODEN WALLS AND OTHER FLAMMABLE MATERIALS.**

## CAUTION

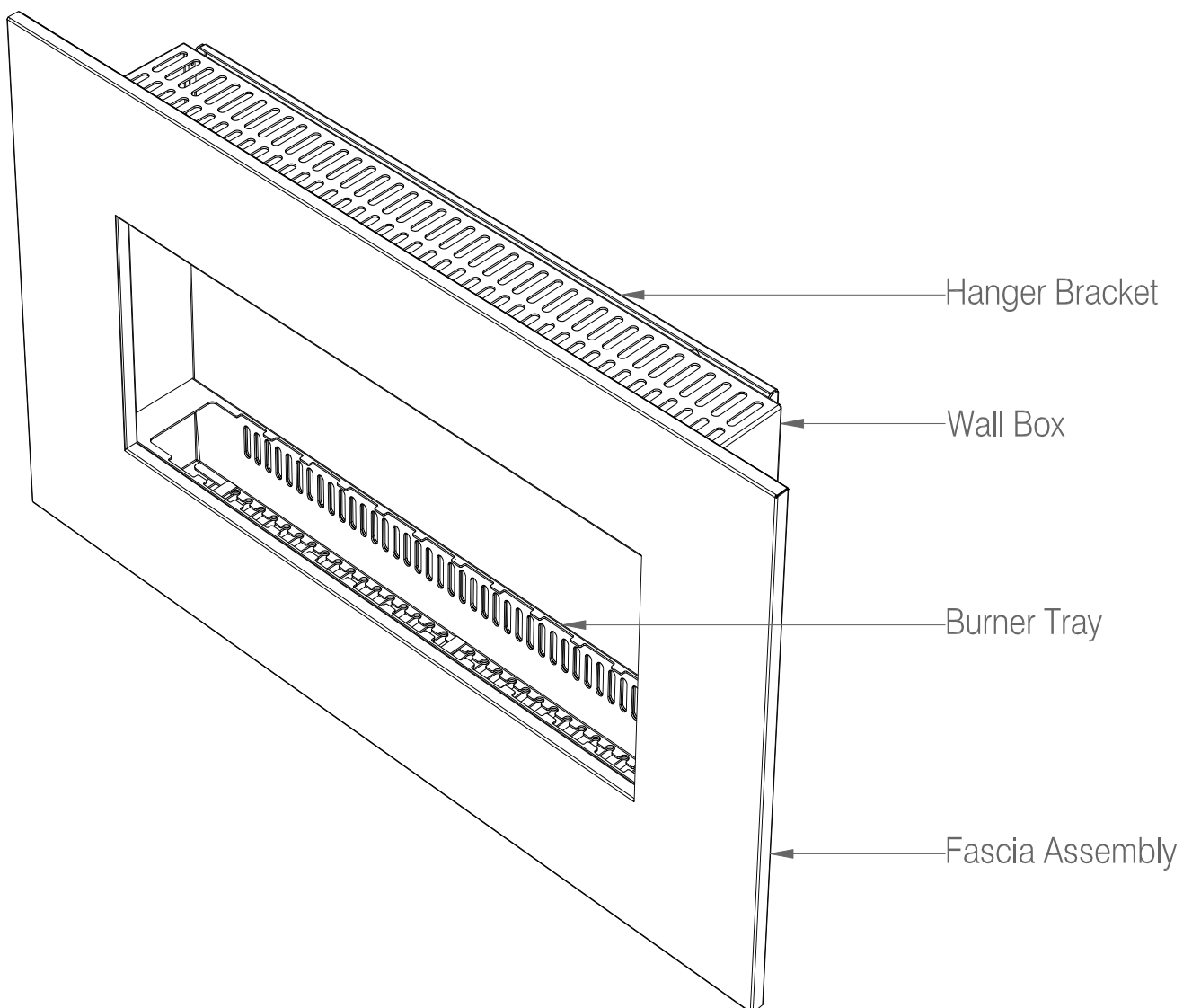
- **Make sure you have read and understood this manual before using this product.**
- **Do not overfill or spill fuel when refilling.**
- **If fuel is spilled, wipe with a dry cloth and allow the rest to evaporate before lighting burner.**
- **If the burner is accidentally overfilled, follow the steps given in the burner manual.**
- **To refill, wait until the burner is at the room temperature after the flame has been turned off. NOTE: the flame may not be visible to the naked eye in daylight.**
- **Never refill over or near an open flame.**
- **Use the supplied funnel or pump to refill.**
- **Remove all plastic & packaging before using the burner.**

ICON  FIRES

## CONTENT OF PACKAGING:

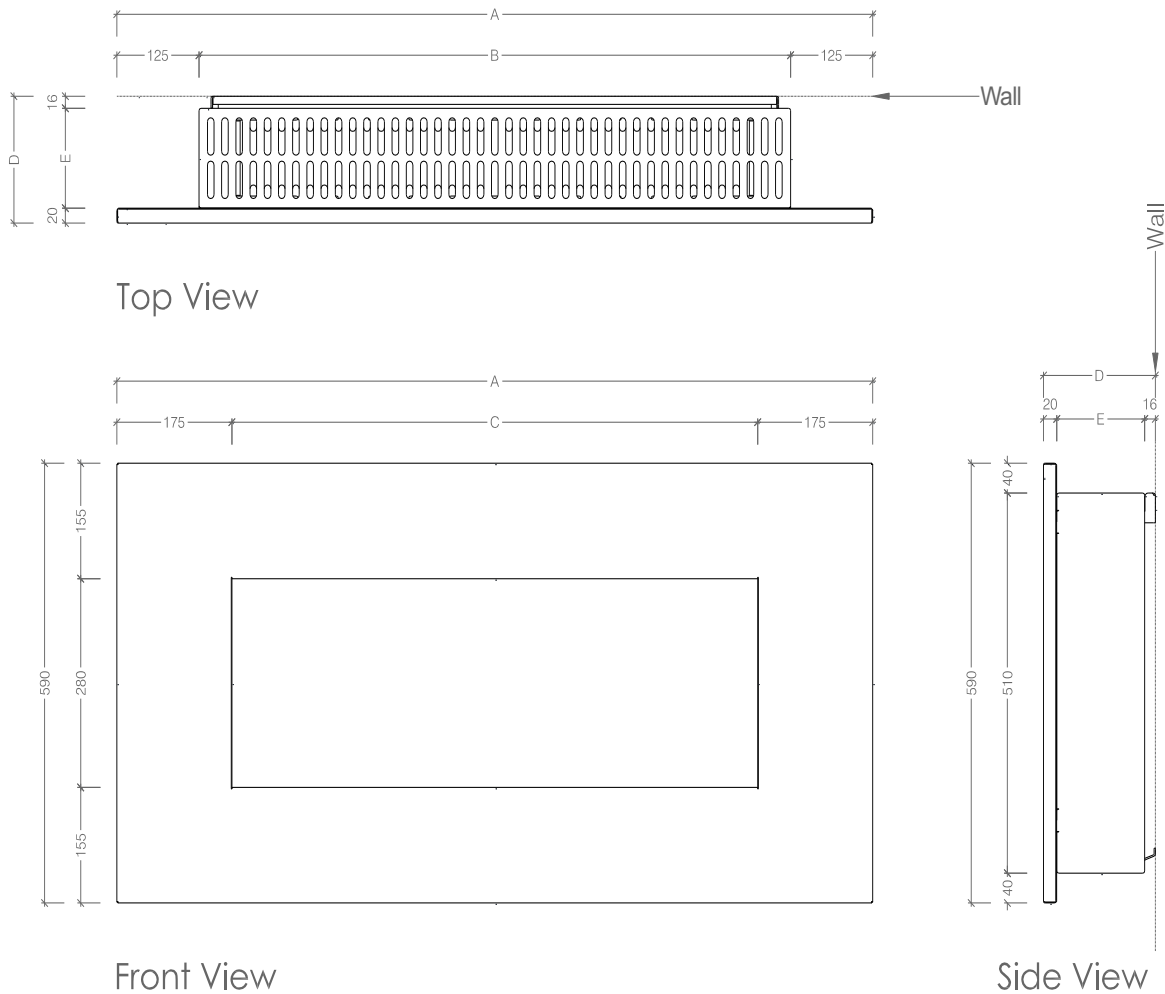
- Hanger Bracket - qty 1 (Wall screws/fixings not supplied)
- Wall Box - qty 1
- Burner Tray - qty 1 (Pre-fastened to wall box)
- Fascia - qty 1 (Separately packaged)
- Safety Clips - qty 2
- Installation Manual - qty 1

NOTE: *Icon Fires* does not supply the wall fixings for the *Hanger Bracket* to be fitted to the wall because these fixings may need to vary depending on the material that the wall is made of. Please consult your local building regulations or hardware specialist if you are unsure.



ICON  FIRES

# 1 - Product Specifications & Sizes



## Overall Product Sizes & Weights:

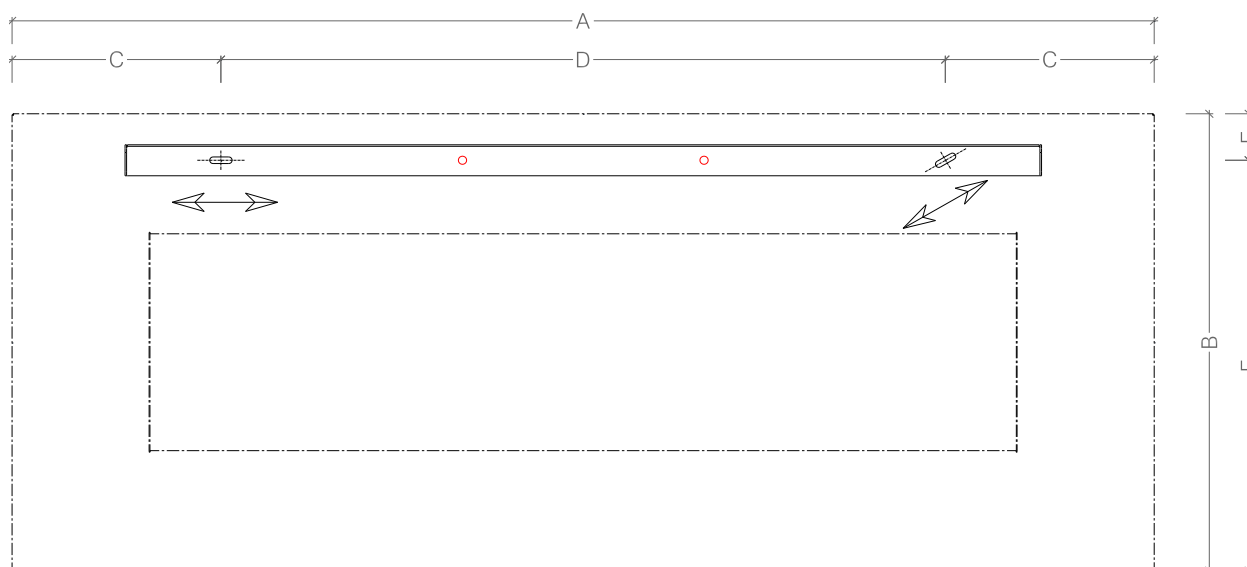
Product name	A = Fascia Length	B = Wall Box Length	C = Fascia Opening	D = MM From Wall	E = Wall Box Depth	Weight Excluding Burner	* Weight Including Full Burner
NERO 1150	1150mm	900mm	800mm	170mm	134mm	28,5kg	43,25kg
NERO 1450	1450mm	1200mm	1100mm	195mm	159mm	35,5kg	62,25kg
NERO 1750	1750mm	1500mm	1400mm	195mm	159mm	42,0kg	77,25kg

\* Please note the weight of the Frame including the Slimline Burner indicated here is the weight of the burner once filled with fuel. Be sure that the fixings used will compensate for at least this weight.

- Materials - Powder coated steel, *Stainless Steel*
- Applications - Indoor Only
- Compatible Burners - Slimline Burner Range



## 2 - Wall Hanger Bracket Position



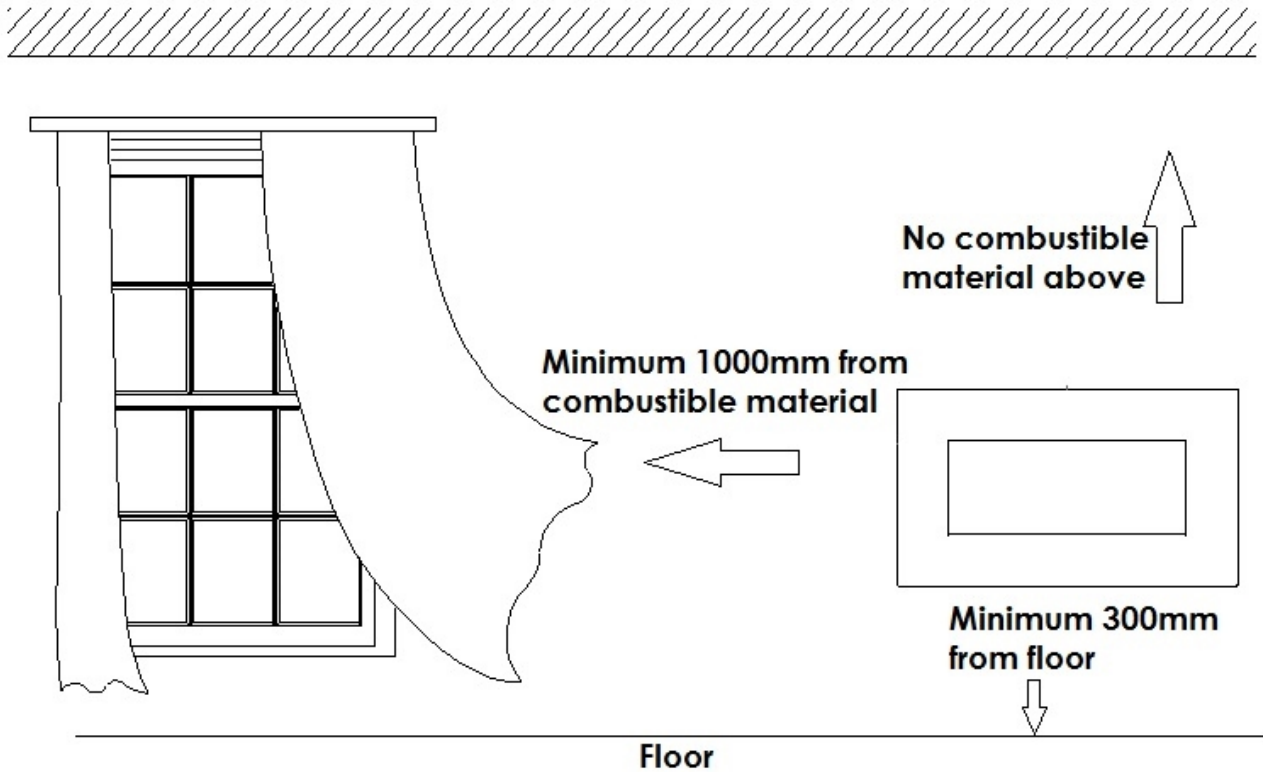
Size Burner	A = Fascia Length	B = Fascia Height	C = Fixing Position	D = Fixing Position	E = Fixing Position	F = Fixing Position
800 mm	1150mm	590mm	265mm	620mm	60mm	530mm
1100 mm	1450mm	590mm	265mm	920mm	60mm	530mm
1400 mm	1750mm	590mm	265mm	1220mm	60mm	530mm

The drawing and table above shows the position of the wall fixings relative to the finished position of the *Fascia* once everything is assembled. The *Frame* needs to be mounted 100% level which is why the *Hanger Bracket* is designed to be slightly adjustable in case the initial screw positioning is not correct. This is achievable by sliding the *Hanger Bracket* from left to right when the fixings are in position (but not yet fastened) and by using a spirit level to make sure the *Hanger Bracket* is level. Always fit the outer two screws first, ensuring the *Hanger Bracket* is level. The larger models may have additional fixing holes between the outer two, to support the weight of the unit. Always use all the fixing holes in the bracket provided.

## 3 - Location, Positioning & Precautions

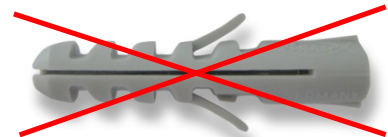
- Make sure that the *Frame* is installed no closer than 1m (40 inch) from any combustible items such as furniture, curtains, etc. See image below this section. No combustible materials are allowed above the *Frame* at any height.
- **Do Not** Place valuable items such as artwork, electronic devices, etc. above the *Frame* as the hot air that rises from the flame may damage such items.
- The *Frame* is not intended to be *Built-In*, it is designed to be mounted onto a surface as indicated in this manual. There are other *Slimline Burner Products* available in the *Icon Fires Product Range* intended for *Built-In* applications.

- Always make sure the room in which the Frame is situated in is well ventilated when the Frame is in use.
- Position the *Frame* where it will not be affected by any breeze or draft, as this may affect the behaviour of the flame in an unpredictable manner.
- Do not cover any of the vents (top, bottom or back) of the Wall Box of the Frame.
- Never place anything on top of the Frame.
- It is advisable to consider children and pets when selecting a height for mounting of the *Frame*.
- Never leave the *Frame* unattended when it is lit, or if it has just been extinguished.



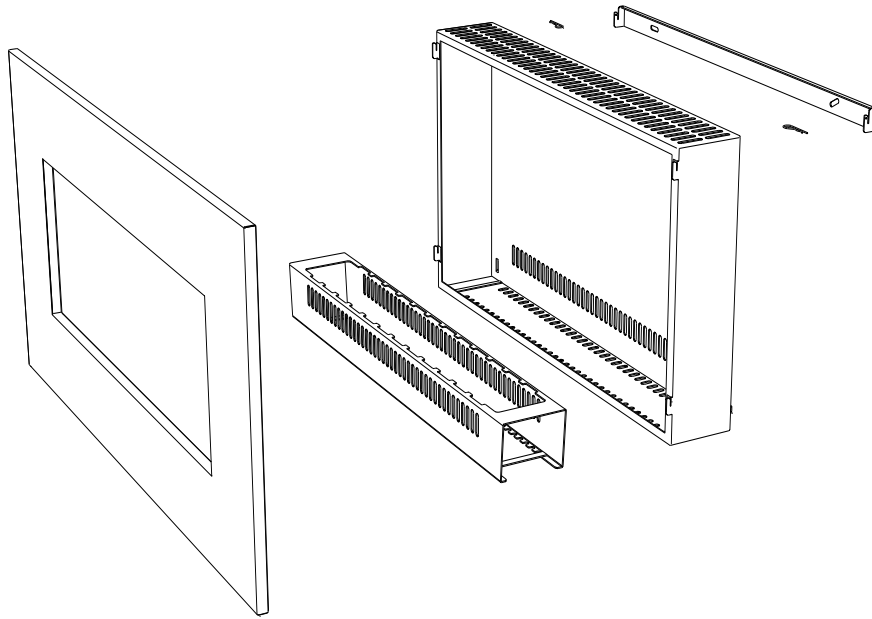
## 4 - Installation Procedure

When purchasing Wall Fixings, make sure there are no plastic components. Use only metal Wall Fixings that will support the weight of the Frame you have purchased... see *Product Specifications & Sizes* table in this manual.



### **When installing the *Frame* you will require the following:**

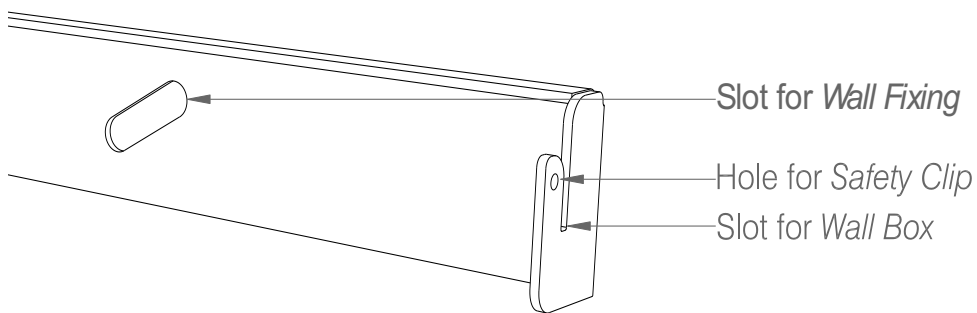
- Appropriate Wall Fixings - qty 2 (or 4 for the larger models)
- Corresponding tool for fastening the above mentioned *Wall Fixings*.
- Power drill - and correct bits for *Wall Fixings* selected.
- Spirit Level
- Tape Measure



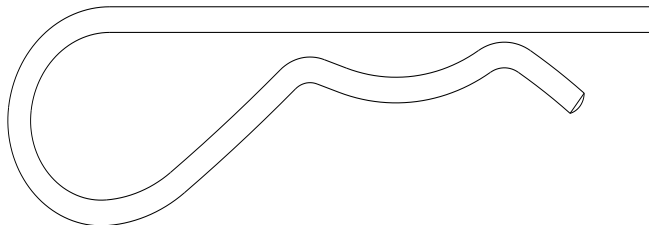
Perspective of Frame Exploded

### Step 1:

After selecting an appropriate position for the *Frame* to be located, mark out and fasten the *Wall Hanger Bracket* to the wall.



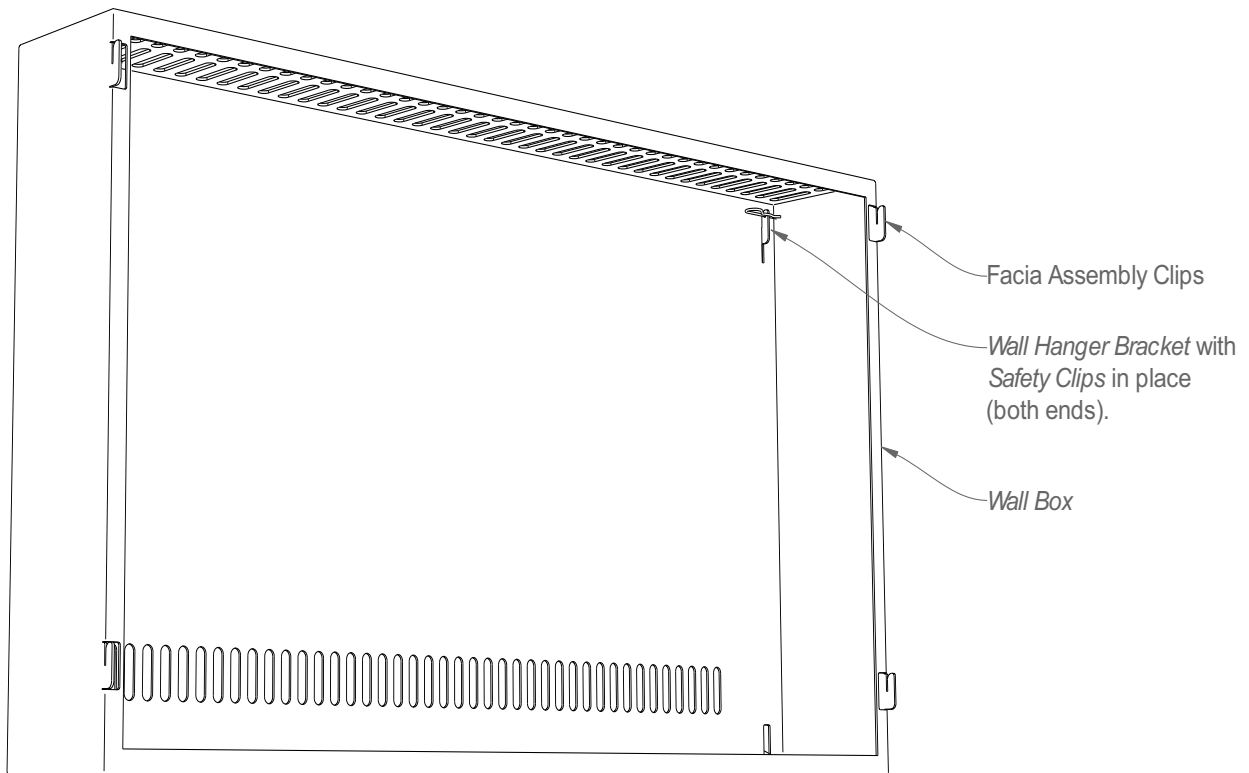
**NOTE:** After hooking the *Wall Box* onto the *Wall Hanger Bracket* (*Step 2*), make sure that the *Safety Clips* (image below) supplied are fitted into the appropriate holes to prevent the *Wall Box* from accidentally becoming dislodged from the wall.



**NOTE:** that the *Frame* may not be installed or mounted onto any combustible material.

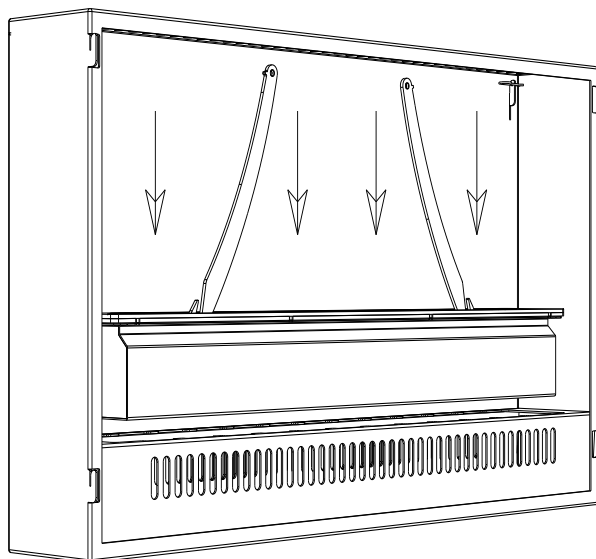
## Step 2:

Once the *Wall Hanger Bracket* is secured to the wall, hook the *Wall Box* onto the *Wall Hanger Bracket* and secure in place with the *Safety Clips*.



## Step 3:

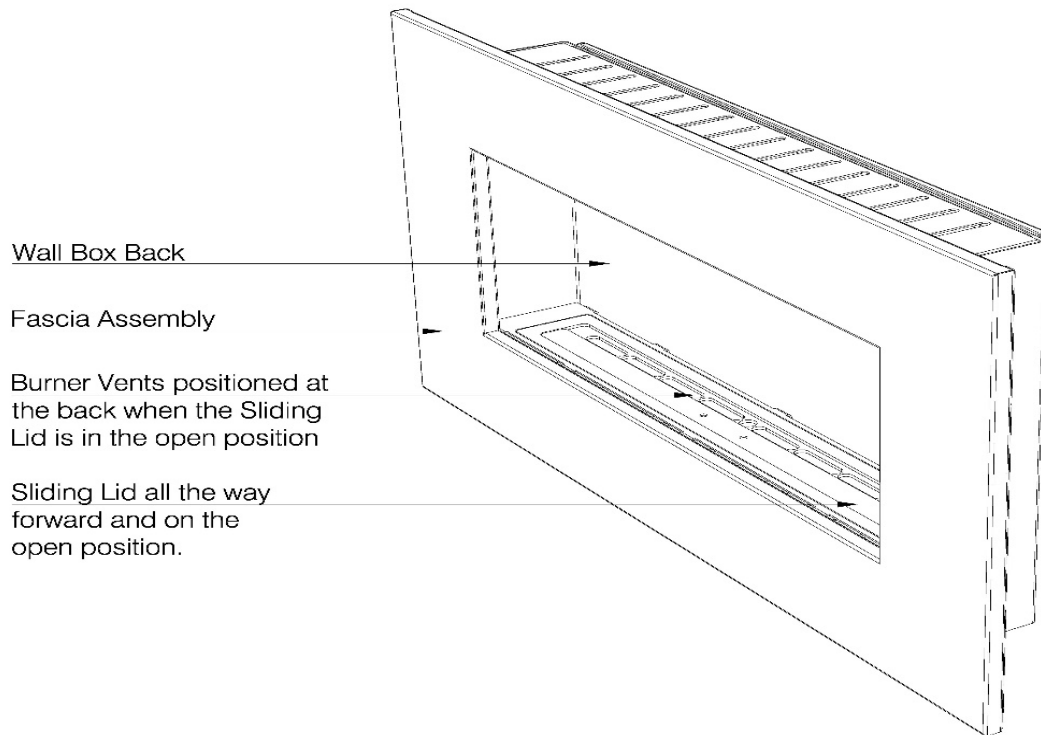
Using the hooks at the back end of the *Sliding Lid Handles* supplied with the *Slimline Burner*, lower the **empty** *Slimline Burner* into the *Burner Tray* cut out as shown below. Do not do this if the *Fuel Tank* contains fuel.





## Step 4:

Make sure that the **burner is facing the right way** as per image below. After the burner has been inserted hook the *Fascia* onto the *Wall Box* by aligning the four holes in the back of the fascia with the four hooks (*Fascia assembly clips*) on the front of the wall box. Fill the *Slimline Burner* with the appropriate fuel, ignite and enjoy. Please refer to instructions in the *Slimline Burner Manual* supplied with the *Slimline Burner* for the appropriate manner in which to do this.



### **ALWAYS KEEP HANDY A CLASS B FIRE EXTINGUISHER:**

Class B fire extinguishers are used to put out fires that are caused by combustible liquids. Class B fire extinguishers quell the flames by expelling a dry chemical powder or foam with nitrogen propellant. The specific chemical can vary depending on the make or model. Water may not extinguish this flame.

### **CLEANING & MAINTENANCE:**

The surface of the inner metal sheet at the back of the fireplace can change with time due to exposure to the heat of the fire which leads to a slight change in colour or structure. This is to be considered normal wear and tear and does not constitute a product flaw or fault. We recommend cleaning the back with a dry sheet of kitchen paper towel followed by a well wrung wet lint-free cloth. For cleaning the stainless steel burner please consult the cleaning instructions in the Slimline Burner manual supplied with your burner.

## **Icon Fires warranty Terms and Conditions:**

- 1.** All warranty claims are subject to manufacturer's review and acceptance.
- 2.** Icon Fires warrants that it uses reasonable care and skill to ensure that its products are of reasonable quality. Icon Fires will at its cost and in its sole discretion: (i) remedy any defect or fault in any product purchased; or (ii) replace any product in respect of which there is a defect or fault, during the warranty period, provided that written notice is given by the Purchaser to Icon Fires of any such defect or fault in the product as soon as the Purchaser becomes aware of that fault or defect. All warranty claims must be returned to Icon Fires for assessment with a receipt or other proof of payment. No warranty is given in respect of any glass contained in any product.
- 3.** Icon Fires has no liability to remedy any defect in a product or replace a product where the defect or fault is caused or contributed to by (i) the failure of the Purchaser to install the product according to specific installation instructions either supplied within each product box or carton or available on the Icon Fires website or through the retailer representative; or (ii) use of the product in a manner or for a purpose for which it was not designed.
- 4.** All site application or installation must reflect these procedures otherwise the product warranty will be considered void or will not take effect.

**All products bearing the logo of Icon Fires logo is covered by a 2 year warranty.**

### **IMPORTANT:**

- **Stone chipping, painting scratches and general scratches are not covered by the Warranty.**
- **Due to the characteristics of Stainless Steel, over time the finish will mature through natural processes associated with the use with heat and a flame.**
- **Is it recommended the Stainless Steel Components be polished annually with a non abrasive polish to bring & restore the finish and also to regularly clean the products from residue and dirt.**

# QC Checklist

## Components

- Wall hanger bracket 1 of .....
- Wall box 1 of .....
- Burner tray 1 of .....
- Manual 1 of.....
- Safety clips 2 of .....

Checked by.....



[www.iconfires.com](http://www.iconfires.com)